



WF-LD###U-24V

*All product text in English only



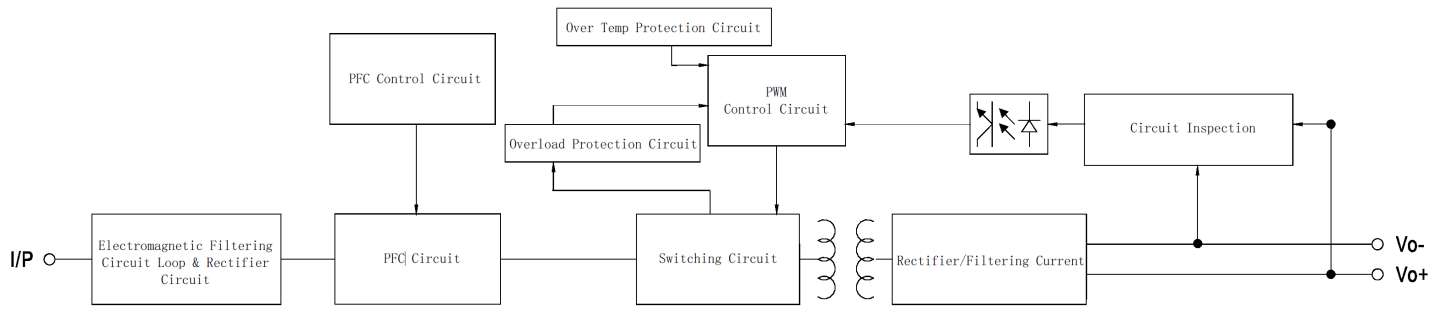
Description

This 24V driver can operate at an input voltage of 100~240VAC and provide an output rated voltage of 24V. It has built-in DuPont terminals and a single high-current terminal output to connect to LED lighting and sensors, making it convenient to use. This driver has a conversion efficiency of more than 90% and can dissipate heat under natural air.

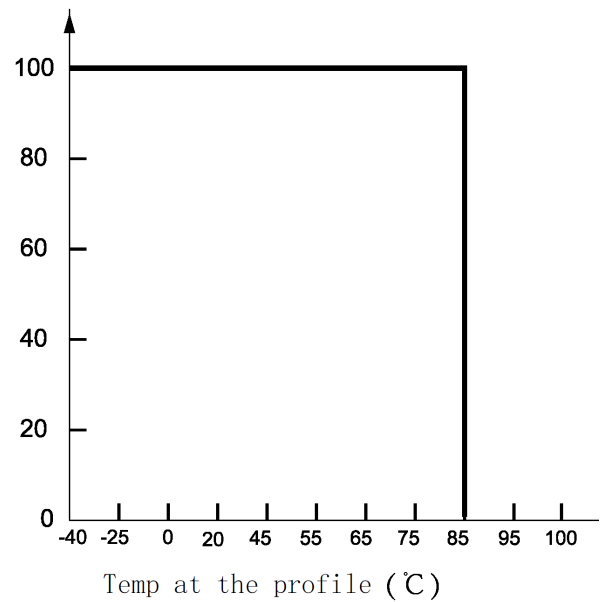
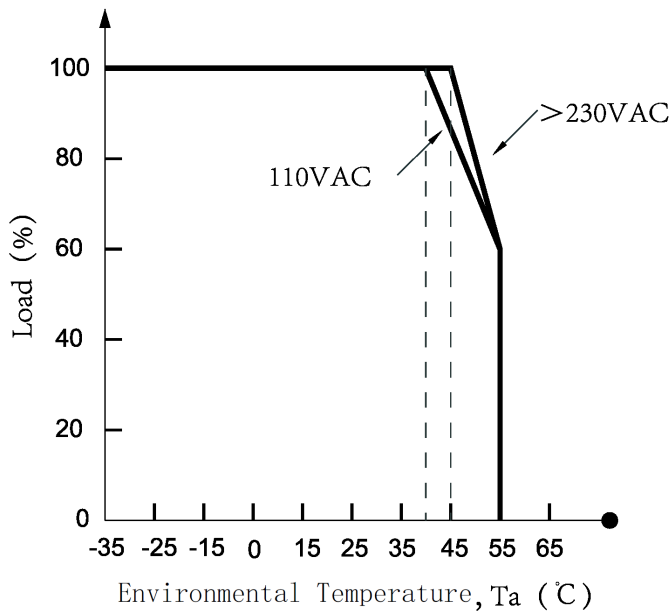
Electrical Specifications

OUTPUT	DC Voltage	24V
	Ripple and Noise Maximum	240mVp-p
	Voltage Accuracy	+/- 2.5%
	Line Regulation	3%
	Load Regulation	3%
	Start-up, Rise Time	<0.5s
INPUT	Voltage Range	AC100~240V
	Frequency Range	50/60Hz
	Power Factor	PF >= 0.9/230VAC
	Total Harmonic Distortion	THD<10%
	Efficiency	93.5%
	AC Current	0.5A/230VAC
	Inrush Current	Cold start 35A (at 50% I _{peak} test width=1800μs) @ 230VAC; Per NEMA 410
Leakage Current	<0.5mA / 265VAC	
PROTECTION	Overcurrent	The protection will be activated when the load exceeds 110%~130% and will automatically recover when the load returns to normal
	Short Circuit	Automatic recovery after abnormal load condition is removed
	Over Temperature	The output voltage is turned off and restarted after the temperature drops
ENVIRONMENT	Operating Temperature	T _a = -20 ~ +40°C (Please refer to the "Output Load vs. Temperature" section)
	Maximum Case Temperature	T _c = +85°C
	Operating Humidity	20~95% RH, no condensation
	Storage Temp and humidity	-20~+60°C, 10~95% RH, no condensation

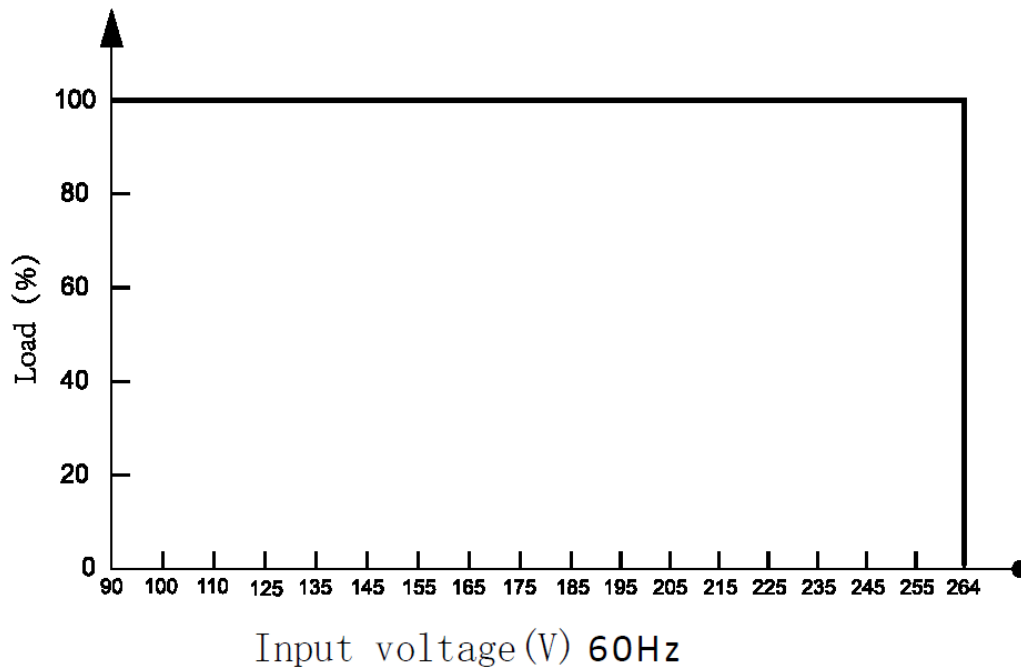
Block Diagram



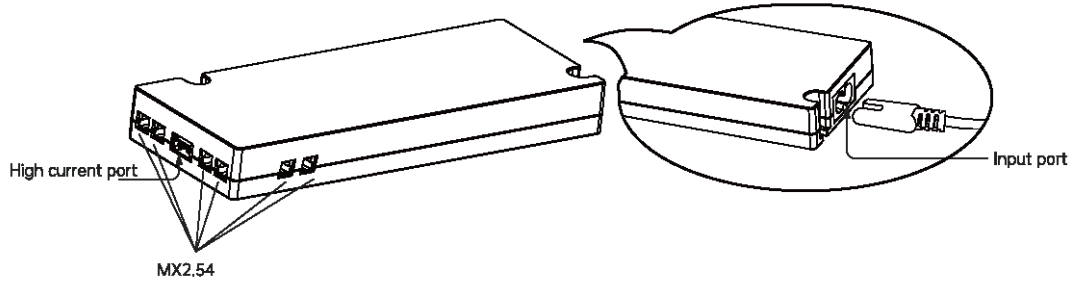
Output Load vs Temperature



Static Characteristic Curve

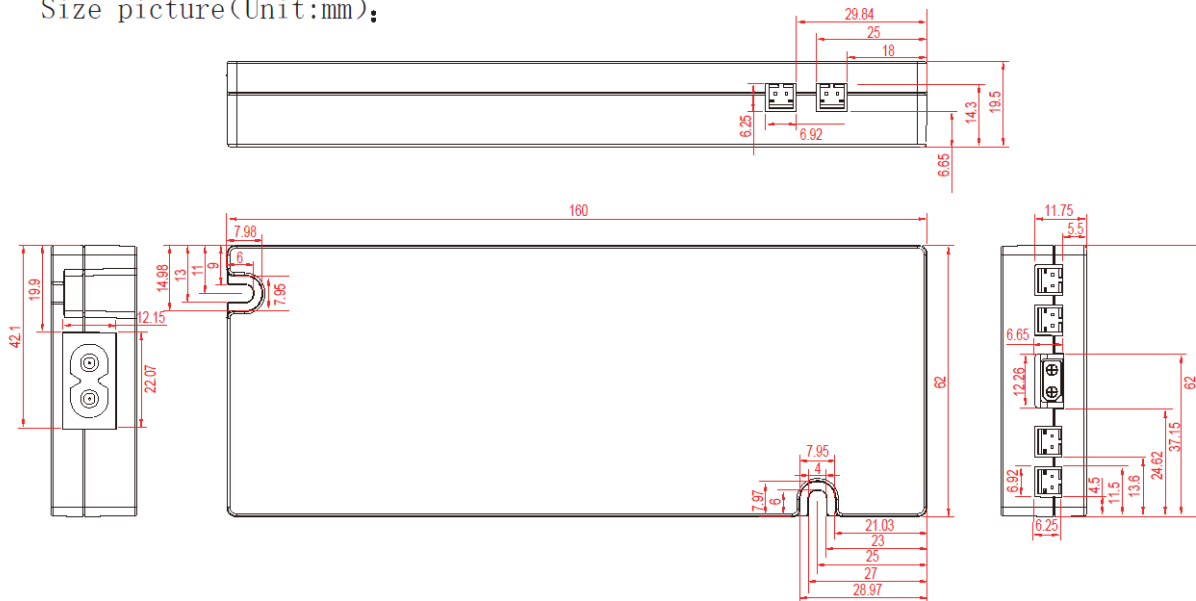


Product Diagrams and Dimensions

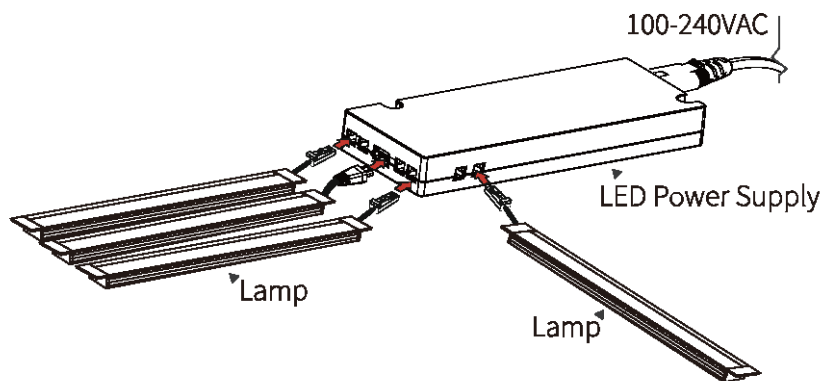


* The maximum length of output line is 5 meters.

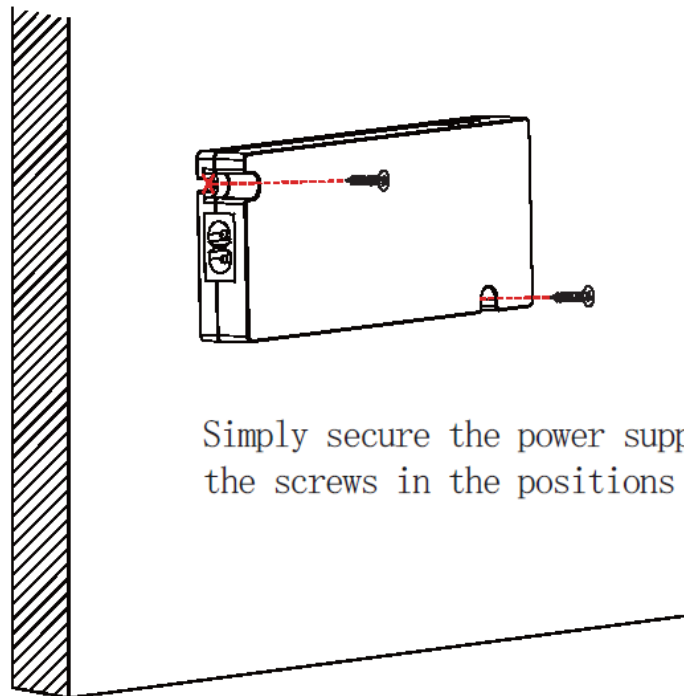
Size picture(Unit:mm):



■ Wiring Diagram



Installation Instructions



Simply secure the power supply using the screws in the positions shown.

Precautions

- The input voltage must be within the input range
- Prevent water from entering the device
- The current and total load power of all loads should not exceed the specified ratings of your selected driver
- This product is for indoor use only and for use with LED lighting and related sensors
- Minimum distance from the top and sides of the LED driver to any flammable surface to be minimum 20mm